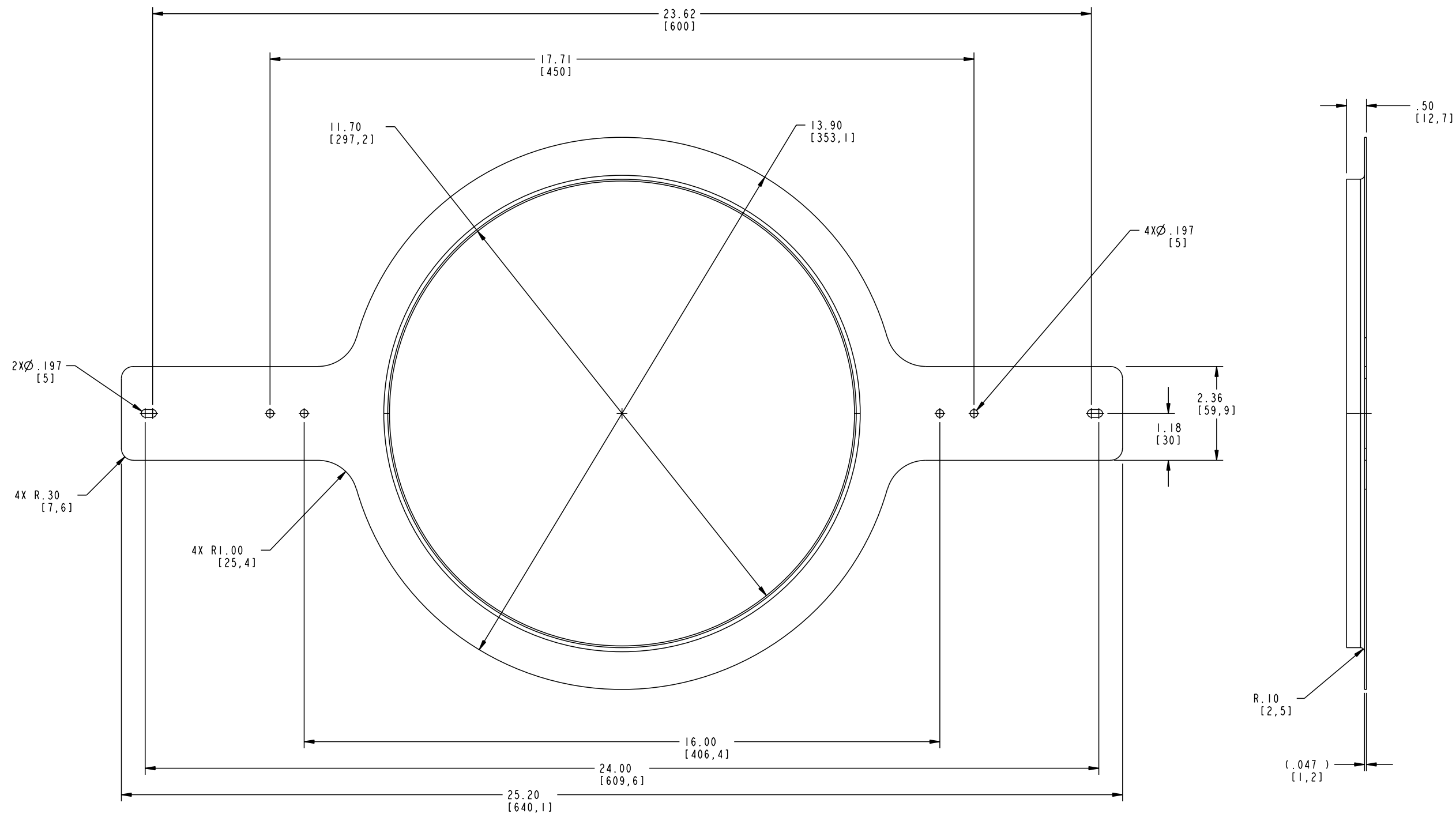


THIS DOCUMENT CONTAINS PROPRIETARY INFORMATION WHICH IS THE PROPERTY OF QSC AUDIO PRODUCTS. THAT MAY NOT BE DISCLOSED, REPRODUCED OR USED WITHOUT EXPRESS WRITTEN CONSENT FROM QSC AUDIO PRODUCTS.

REVISIONS				
REV	DESCRIPTION	EFF DATE	CHK	APPROVED DATE
A	PRODUCTION RELEASE			
AI	REVISED PER ECO 6939 DV	12-16-05		DD



1. THIS PART MUST BE RoHS COMPLIANT PER QSC RD-000160-00. VENDOR TO PROVIDE A CERTIFICATE OF RoHS COMPLIANCE WITH PACKAGE SHIPPED.

NOTES: UNLESS OTHERWISE SPECIFIED.

UNLESS OTHERWISE SPECIFIED DIMENSIONS ARE IN INCHES. TOLERANCES ARE: DECIMALS DECIMALS ANGLES .XX ± .02 .XXX ± .010 ± 1/2 DEBURR EDGES .010 R MAX	CONTRACT NO.		QSC AUDIO PRODUCTS, INC. 1675 MACARTHUR BOULEVARD COSTA MESA, CA 92626	
	APPROVALS	DATE	BRACKET, MUD-RING, 11.70", C52S-MR	
	DRAWN D. SIMPSON	28-Jun-05		
	CHECKED N/A			
MATERIAL GALVANIZED STEEL	MFG ENG N/A	SIZE D	CAGE CODE 00PW4	DWG NO. CH-000432-00
FINISH GALVANIZED	ISSUED N/A	SCALE 0.750		REV AI
DO NOT SCALE DRAWING	MODEL INFO CH-000432-00.main.AI.0		DRAWING INFO CH-000432-00.AI.0	SHEET 1 of 1

DWG NO. CH-000432-00  
SHEET 1 of 1  
REV AI